



SINCE 1976

SHOWFOU PUMP

SUBMERSIBLE DRAINAGE PUMP
LARGE VOLUME DE-WATERING PUMP

修附電機



標檢局
ISO-9001/CNS 12681

KS-

水冷式污水幫浦

KL-

水冷式大水量
污水幫浦

KS
Drainage pump

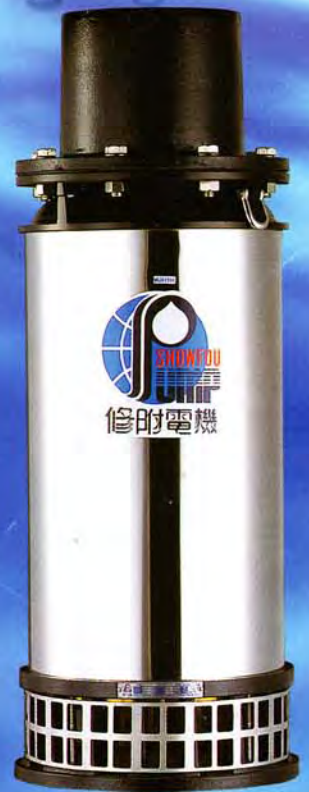
KL
Large volume
de-watering
pump



KS 1HP~7 1/2HP



KS-532B



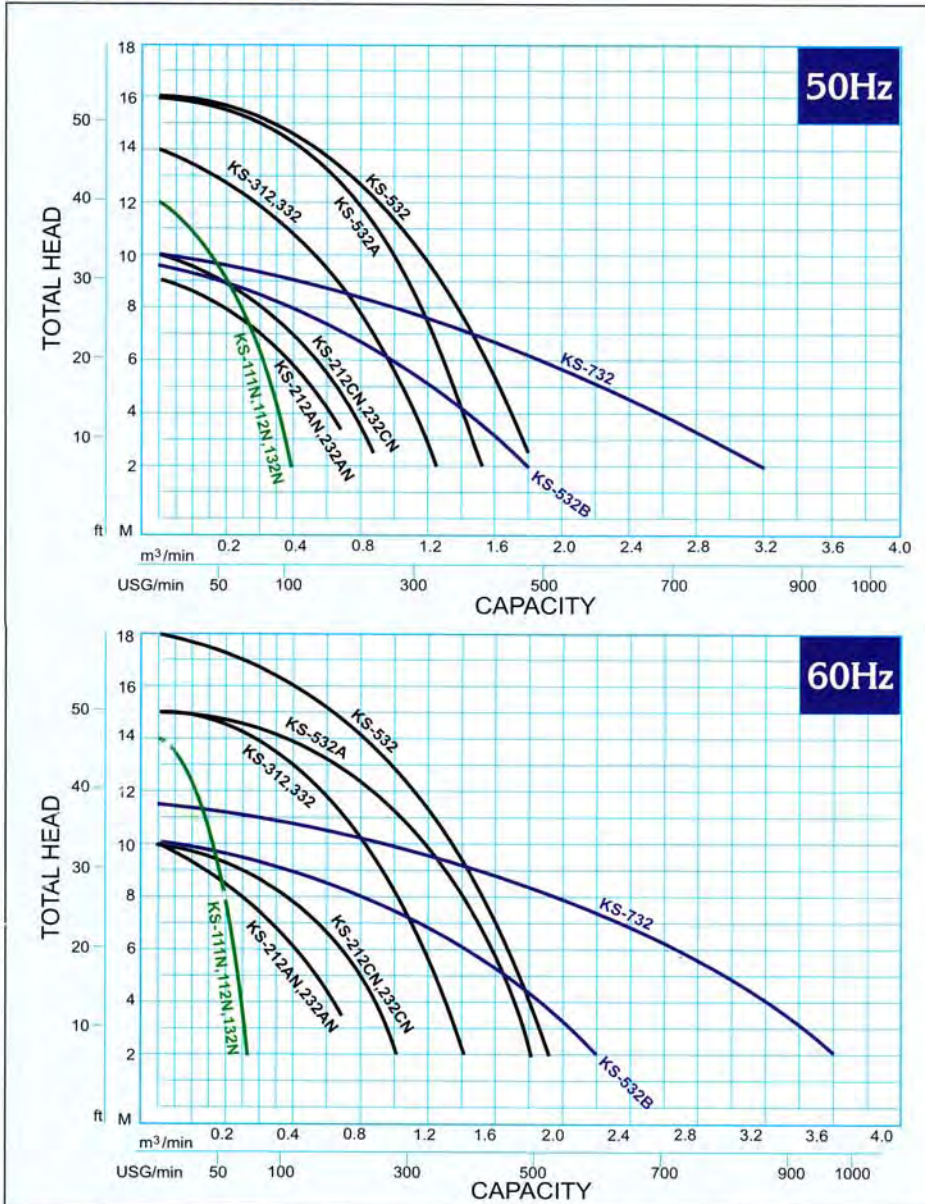
KL 7 1/2HP~15HP

KS 水冷式污水幫浦 Submersible Sump Pump

FEATURES:

1. Special design-specially designed to work under sewage, compact dimension, light weight and easy operation.
2. Since the motor cooled by water, and maintains in safety temperature when motor works; this will enlong the motor's life.
3. Specially designed impeller curvature to obtain larger output water volume.

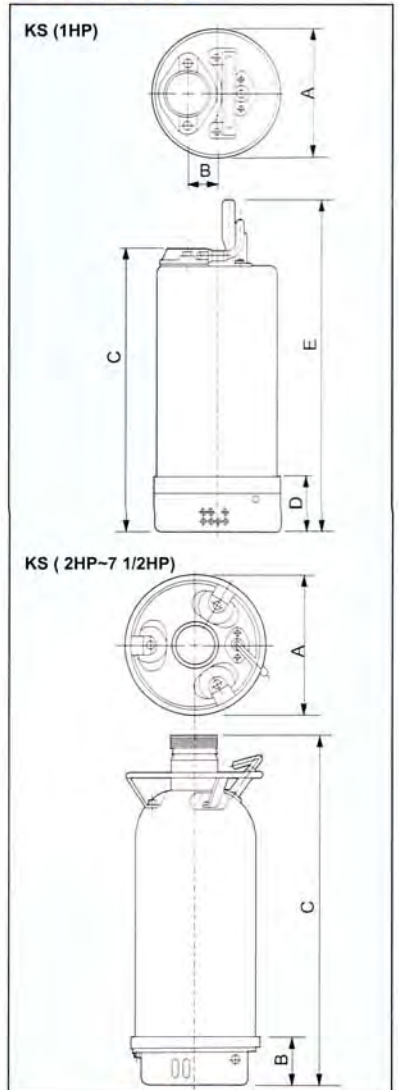
PERFORMANCE CURVE



APPLICATIONS:

1. Construction engineering.
2. Basement drainage.
3. Waste water treatment.
4. Drainage system.
5. Agricultural irrigation, fishing and spraying.
6. Water discharge work for ships.
7. Any kind of accumulated water and water discharge.

DIMENSIONS:



SPECIFICATIONS:

型式 TYPE	電動機 MOTOR			極數 Poles	抽水機 PUMP						電纜 Cable	重量 Weight	尺寸 SIZE				
	Power		Phase PH		Volt V	Disch. Dia.	Max. Head		Max. Flow				mm ² xM	KG	A	B	C
	KW	HP					50HZ	60HZ	50HZ	60HZ							
						Inch	mm	M	M ³ /MIN								
KS-111N	0.75	1	1	110	2	2"	50	12	14	0.4	0.26	2 ² x6	23	175	40	465	
KS-112N			3	220-440													
KS-132N			3	220-440													
KS-212AN	1.5	2	1	220	2	3"	80	9	10	0.8	0.3	3.5 ² x10	41	228	80	610	
KS-232AN			3	220-440													
KS-212CN			1	220													
KS-232CN	3	220-440	2	4"	100	10	10	0.9	1.0	48	228	80	630				
KS-312	2.2	3	3	220	2	4"	100	14	15	1.2	1.4	3.5 ² x10	42	228	80	530	
KS-332			3	220-440													
KS-532A	3.7	5	3	220-440	2	4"	100	16	15	1.5	1.8	5.5 ² x10	49	232	100	560	
KS-532			3	220-440													
KS-532B			3	220-440													
KS-732	5.5	7½	3	220-440	4	6"	150	10	11.5	3.2	3.6	5.5 ² x10	107	335	200	750	

DIMENSIONS:

KL 水冷式大水量污水幫浦 Submersible Large Volume Sump Pump

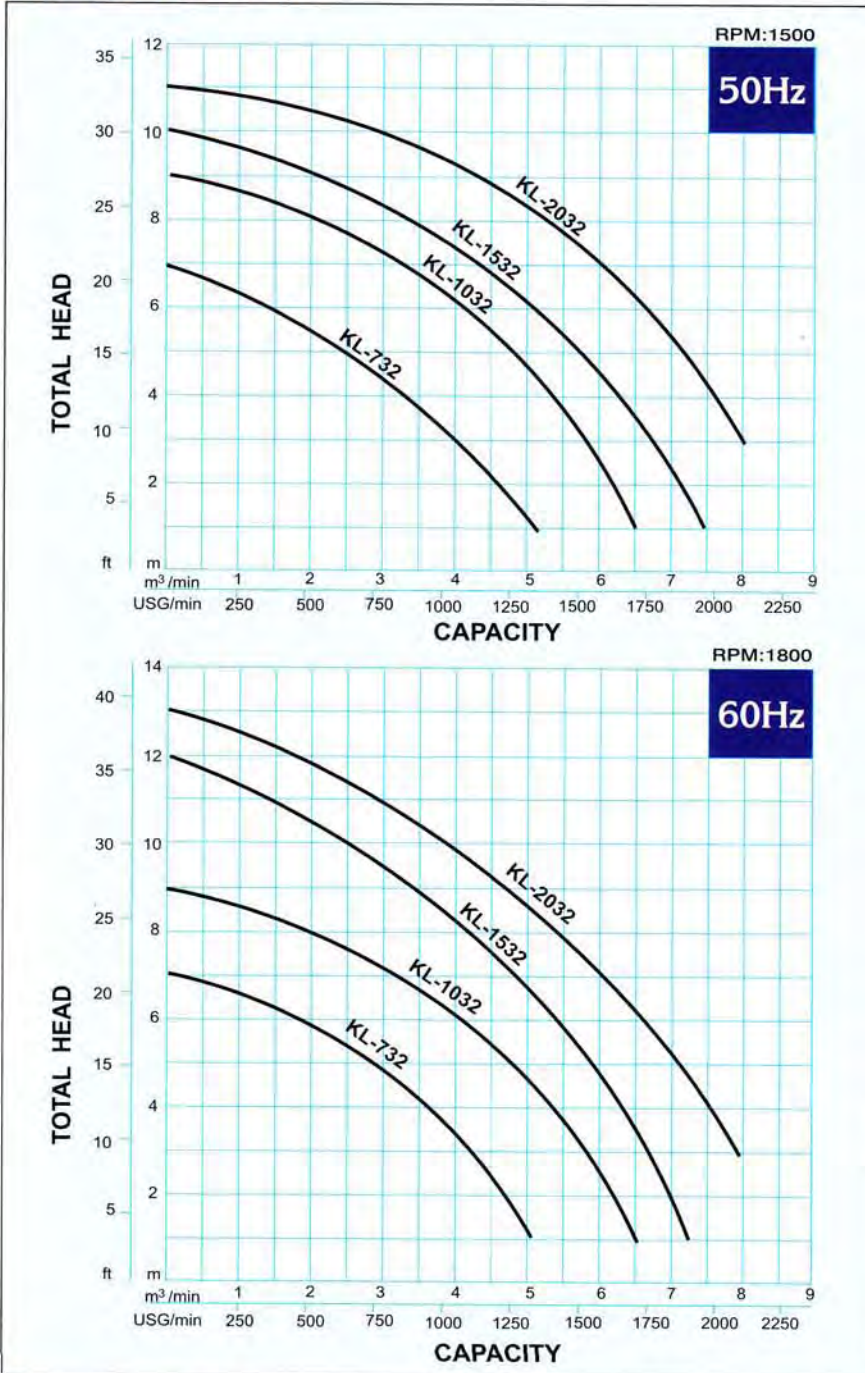
FEATURES:

1. Turbo Jet-Like impeller designed to improve extra-output water volume.
2. Easy operating, no need of equipped devices, result in this less-maintenance, noise and vibration free pump.
3. Rigid body, by using the special fined bronze and stainless steel, this will rise the pump the ability of water delivering life.

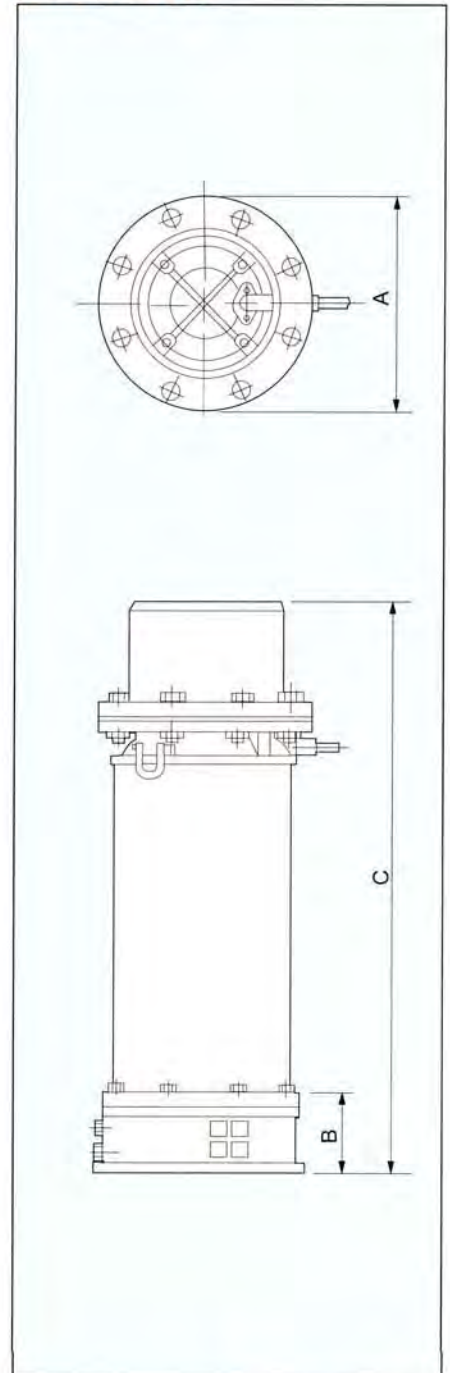
APPLICATIONS:

It is applicable to sewage, the field cultivative and industrial use, as well as in accumulated water and large volume water pumping.

PERFORMANCE CURVE



DIMENSIONS:



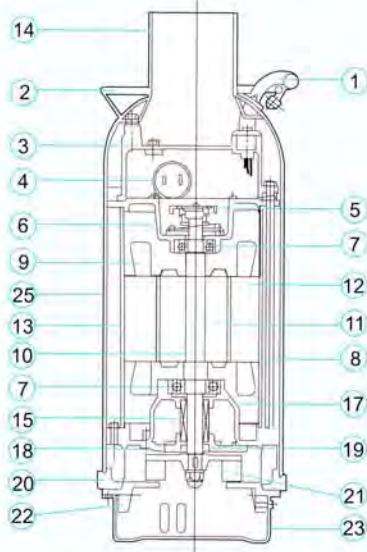
SPECIFICATIONS:

DIMENSIONS:

型式 TYPE	電動機 MOTOR				極數 Poles	抽水機 PUMP						電纜 Cable	重量 Weight	尺寸 SIZE			
	Power		Phase PH	Volt V		Disch. Dia.	Max. Head		Max. Flow		mm² xM			KG	A	B	C
	KW	HP					50HZ	60HZ	50HZ	60HZ							
			Inch	bmm		M					M³/MIN						
KL-732	5.5	7½	3	220-440	4	8"	200	7	7	5.5	5.5	5.5²x10	118	376	200	915	
KL-1032	7.5	10	3	220-440	4	10"	250	9	9	6.7	6.7	5.5²x10	165	422	200	1035	
KL-1532	11	15	3	220-440	4	12"	300	10	12	7.9	7.4	8²x10	191	422	200	1065	
KL-2032	15	20	3	220-440	4	12"	300	11	13	8.8	8.7	8²x10	195	422	200	1065	

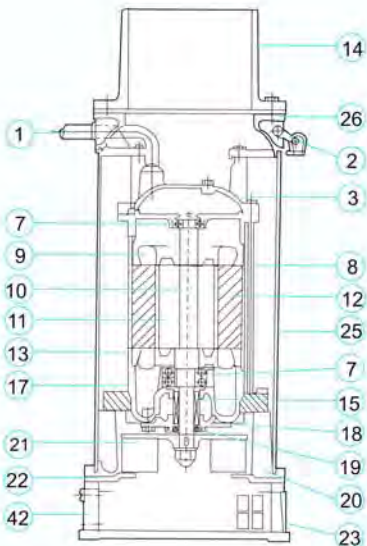
■ CONSTRUCTIONS:

KS



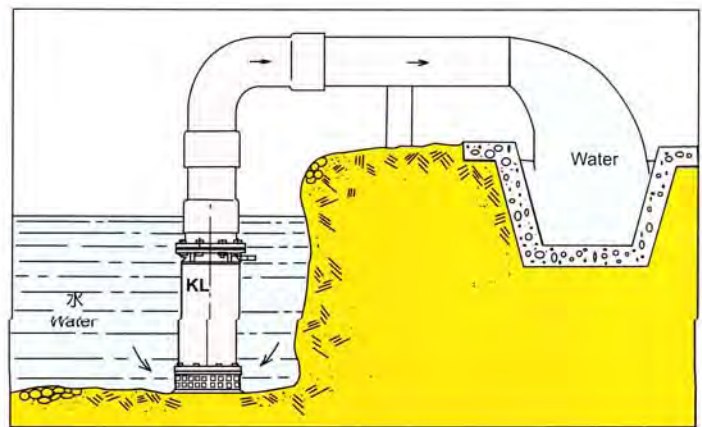
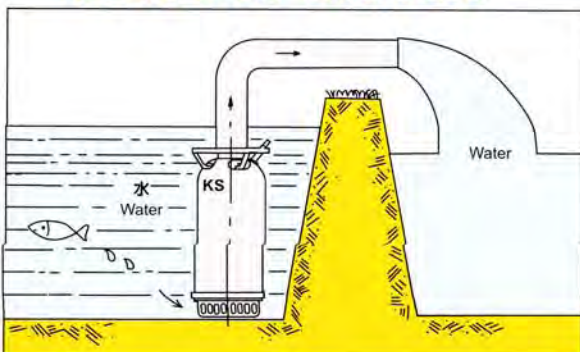
NO.	PARTS LIST	MATERIAL
1	Cable	V.C.T.
2	Handle	Stainless Steel
3	Motor Head Cover	Cast Iron
4	Condenser	
5	Centrifugal Switch	1φ only (2HP-3HP)
6	Upper Bracket	Cast Iron
7	Upper Ball Bearing	
8	Bolt	Stainless Steel
9	Coil	
10	Shaft	Stainless Steel
11	Rotor	Steel Plate
12	Stator	Steel Plate
13	Motor Casing	Stainless Steel
14	Hose Coupling	Stainless Steel
15	Mechanical Seal	Ceramic-Carbon
17	Motor Lower Cover	Cast Iron
18	Mechanical Seal Cover	Cast Iron
19	Oil Seal	Synthetic Rubber
20	Pump Casing	Cast Iron
21	Impeller	Bronze
22	Suction Cover	Bronze
23	Strainer	Cast Iron (for 1HP & KS-532B)
25	Outer Cover	Stainless Steel

KL



NO.	PARTS LIST	MATERIAL
1	Cable	V.C.T.
2	Handle	Stainless Steel
3	Motor Head Cover	Cast Iron
7	Upper Ball Bearing	
8	Bolt	Stainless Steel
9	Coil	
10	Shaft	Stainless Steel
11	Rotor	Steel Plate
12	Stator	Steel Plate
13	Motor Casing	Stainless Steel
14	Hose Coupling	Cast Iron
15	Mechanical Seal	Ceramic-Carbon
17	Motor Lower Cover	Cast Iron
18	Mechanical Seal Cover	Cast Iron
19	Oil Seal	Synthetic Rubber
20	Pump Casing	Cast Iron
21	Impeller	Bronze
22	Suction Cover	Bronze
23	Strainer	Stainless Steel
25	Outer Cover	Stainless Steel
26	Bracket of Outer Cover	Cast Iron
42	Strainer Stand	Cast Iron

■ 幫浦在各種不同的狀況下使用範例
APPLICATION EXAMPLES



PT. LUKES INDONESIA

Lindeteves Trade Center Lt UG, Blok B1 No. 6
Jalan Hayam Wuruk, Jakarta - Indonesia
Phone : 021 - 6231 7842, 628 5144
Fax : 021 - 6231 0499
email : lukes@cbn.net.id

